

### Details of the Club Activities from 01<sup>st</sup> February 2025 to 22<sup>nd</sup> April 2025.

- 13 Hands on session with motor drivers, analog inputs, PWM outputs PID and sensor array, Drone concepts and its flight controllers.
- Conduct of Robotic Event (Line following robot).
- Participated 10 robotic events conducted by various universities, deemed universities and colleges.
- Our Club member teams won many positions in various tracks, the complete details are listen in table-2

### Details of the Club Activities Done till now

Total no. of students as of now:	45	
No. of activity classes:13 (11- Technical class 1 Event+1 Industry visit)	Class 1: Digital Interfacing with Atmega328p	Conducted on 06.02.25
	Class 2 Analog Interfacing using LDR	Conducted on 14.02.25
	Class 3 Analog interfacing contd..	Conducted on 20.02.25
	Quiz Event	Conducted on 27.02.25
	Class 4: Analog interfacing contd..	Conducted on 04.03.25
	Class 5: L293D interfacing	Conducted on 13.03.25
	Class 6: L293D interfacing contd.	Conducted on 19.03.25
	Visit to IG -Drones	Conducted on 22.03.25
	Class 7: PCB Prototype Design with KiCAD and Demo on CNC based PCB Prototype Machine	Conducted on 27.03.25
	Class 8: Robot making and designing for Robotic events	Conducted on 03.04.25
	Class 9: OpenCV handson session	Conducted on 10.04.25
Class 10: PID Algorithm embedded with Controller	Conducted on 17.04.25	
Class 11 Making of robot Land rover for plant disease identification	Conducted on 20.04.25	
Students' responses:	Actively interacting. But average attendance is around 15	

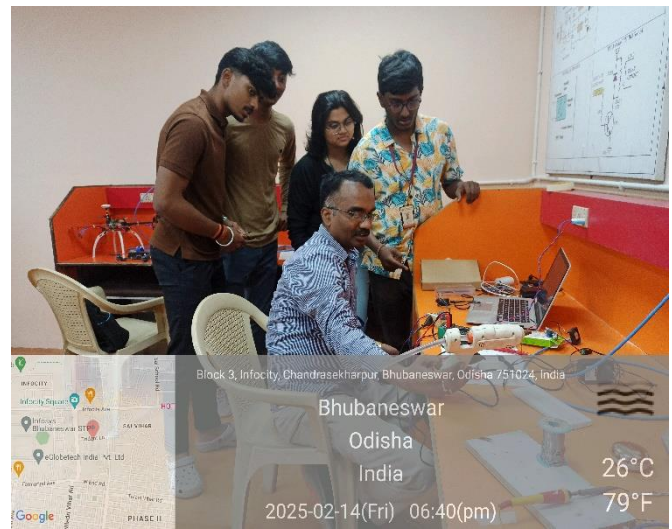
Activity:	Students were given task to prepare Articles on Robotics, Drone Technology, Automation etc.
-----------	---

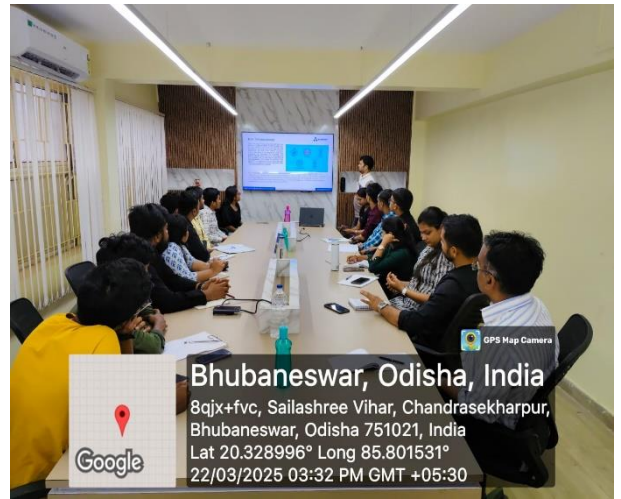
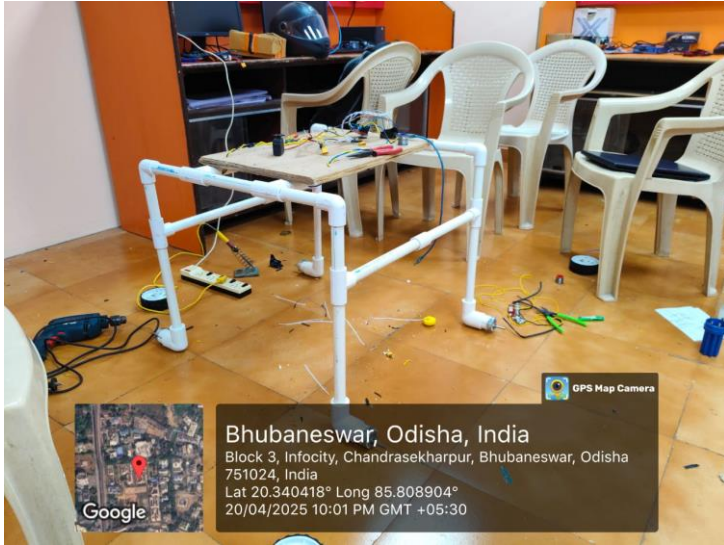
Table-1 club session details

Club-In-Charge

**Asst. Prof. Shaik Mohammed Ali**  
Dept. of ETC

Trident Academy of Technology







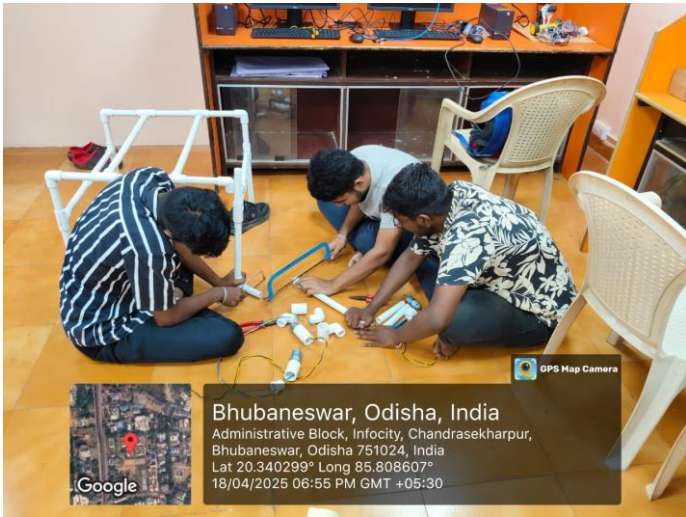
**Bhubaneswar, Odisha, India**

Block 3, Infocity, Chandrasekharpur,  
Bhubaneswar, Odisha 751024, India  
Lat 20.340358° Long 85.808829°  
26/03/2025 04:46 PM GMT +05:30



**Bhubaneswar, Odisha, India**

1305, Sitanath Nagar, Neeladri Vihar,  
Chandrasekharpur, Bhubaneswar, Odisha  
751021, India  
Lat 20.328997° Long 85.801413°  
22/03/2025 05:17 PM GMT +05:30



**Bhubaneswar, Odisha, India**

Administrative Block, Infocity, Chandrasekharpur,  
Bhubaneswar, Odisha 751024, India  
Lat 20.340299° Long 85.808607°  
18/04/2025 06:55 PM GMT +05:30



Block 3, Infocity, Chandrasekharpur, Bhubaneswar, Odisha 751024, India

**Bhubaneswar**

Odisha

India

26°C

79°F

2025-03-04(Tue) 06:28(pm)



**Bhubaneswar, Odisha, India**

Block 3, Infocity, Chandrasekharpur,  
Bhubaneswar, Odisha 751024, India  
Lat 20.340381° Long 85.808895°  
19/03/2025 05:46 PM GMT +05:30



**Table-2 Details, list of the successful achievements during Feb-2025 to till date**

**Year 2024-2025**

**1. Robotic events @ IIT, Bhubaneswar**

Fest Name:- Pravaah'25

Conducted during 04.04.25 to 06.04.25

Event Name	Position and Winning College Name	Total Teams Participated	Inhouse Student Members
<b>Innovation Expo</b> <b>(05.04.25)</b>	<p><b>1. Synexis, Trident Academy of Technology</b>  <b>(Prize Money-Rs.5,000)</b>                      (Idea:- Drone Applications in various fields, we show cased our Various Drones)</p> <p><b>2. KIIT (Prize Money-Rs.3,000)</b>                      (Idea: Pollution Tester, carbon emission-Monitoring)</p> <p><b>3. RNG, Trident Academy of Technology</b>  <b>(Prize Money-Rs.2,000)</b>                      (Idea: Industrial Applications by Line Follower Robot, we show cased our Various Robots)</p>	08	<p><b>Synexis</b></p> <ol style="list-style-type: none"> <li>1. Shubham Kumar Sarangi</li> <li>2. Om Subham Rout</li> <li>3. Prachi Sahoo</li> <li>4. Srutimayee Roul</li> <li>5. Subham Sahoo</li> </ol> <p><b>RNG</b></p> <ol style="list-style-type: none"> <li>1. Priyansu Padhiary</li> <li>2. Swadhinjit Sahoo</li> <li>3. Binay Raj Sahoo</li> <li>4. Ayushman Mahapatra</li> <li>5. Amit Kumar Tripathy</li> <li>6. Ashutosh Samantray</li> <li>7. Abhigyan Bhatta</li> </ol>

Total number of teams Participated from our Trident Academy of Technology: **02**

Event Name	Position and Winning College Name	Total Teams Participated	Inhouse Student Members
<b>Robo Race</b> <b>(06.04.25)</b>	1. Robo Zone, OUTR, (Rs.10,000) <b>2. Masterbots, Trident Academy of Technology (Prize Money-Rs.6,000)</b> 3. Roboaventrix , Einstein (Prize Money-Rs.4,000)	26	<b>Masterbots</b> 1. PriyansuPadhiary 2. Ashutosh Samantaray 3. Swadinjit Sahoo 4. Abhigyan Bhatta 5. Binay raj sahuo

Total number of teams Participated from our Trident Academy of Technology: **03**

Event Name	Position and Winning College Name	Total Teams Participated	Inhouse Student Members
<b>Line Follower</b> <b>(05.04.25)</b>	1. Falcon, BEC, (Prize Money Rs.10,000) 2. Falcon 2.0, BEC, (Prize Money Rs.6,000) <b>3. Team Coders , Trident Academy of Technology (Prize Money-Rs.4,000)</b>	32	<b>. Team Coders</b> 1. PriyansuPadhiary 2. Swadhin Patro 3. Swadinjit Sahoo 4. Abhigyan Bhatta 5. Ayushman Mahapatra

Total number of teams Participated from our Trident Academy of Technology: **09**

2. Robotic events @ **Einstein Academy of Technology and Management**

Fest Name:-AVASTRA 25

Conducted on: 21.03.25

Event Name	Position and Winning College Name	Total Teams Participated	Inhouse Student Members
<b>Line Follower</b>	1. Extreme 550, Silicon, (Prize Money Rs.5,000) 2. YARA, ITER (Prize Money-Rs.3,000) <b>3. Robowizards, Trident Academy of Technology (Prize Money-Rs.2,000)</b>	21	<b>Robowizards</b> 1. Saraswata Sahoo 2. Ritik Parida 3. Abhisek Sahoo 4. Satyabrata Behera 5. Sarbajit Sarbeswar Nayak 6. Saswat Satpathy

Total number of teams Participated from our Trident Academy of Technology: 03

3. Robotic events @ **GIFT Autonomous**

Fest Name:-Festronix 2025

Conducted on: 21.03.25

Event Name	Position and Winning College Name	Total Teams Participated	Inhouse Student Members
<b>Line Follower</b>	1. Falcon, Berhampur college (Prize money Rs.3,000) 2. BGU (Prize Money-Rs.2,000) <b>3. Teamcoder 2.0, Trident Academy of Technology (Prize Money-Rs.1,000)</b>	08	<b>Teamcoder 2.0</b> 1. swadhinjit saho 2. swadhin patro 3. Ayushman Mahapatra 4. Abhishek Nayak

Total number of teams Participated from our Trident Academy of Technology: 02

4. Robotic events @ **GIFT Autonomous**

Fest Name:-Festronix 2025

Conducted on: 21.03.25

Event Name	Position and Winning College Name	Total Teams Participated	Inhouse Student Members
<b>Robo Sumo War</b>	1. YARA, ITER (Rs.3,000) 2. YARA 2.0 (ITER , Rs, 2,000) 3. <b>Rng, Trident Academy of Technology (Prize Money-Rs.1,000)</b>	<b>07</b>	<b>Rng</b> 1. PriyansuPadhiary 2. Ashutosh Samantaray 3. Abhishek Nayak

Total number of teams Participated from our Trident Academy of Technology: 01

5. Robotic events @ **Govt. College of engineering, Kalahandi**

Fest Name:-Insprino 2k25

Conducted on:11.03.25

Event Name	Position and Winning College Name	Total Teams Participated	Inhouse Student Members
<b>Robosoccer</b>	1. Metal Gears (College from Ranchi Prize money, Rs 7,000) 2. Roboaventrix (Einstein college, Rs, 5000) 3. <b>Nandighosh, Trident Academy of Technology (Prize Money-Rs.3,000)</b>	<b>32</b>	<b>Nandighosh</b> 1. PriyansuPadhiary 2. Amit Kumar Triparthy

Total number of teams Participated from our Trident Academy of Technology: 03

6. Robotic events @ **Srinix College of Engineering**

Fest Name:-Festronix 2025

Conducted on: 14.02.25

Event Name	Position and Winning College Name	Total Teams Participated	Inhouse Student Members
<b>Line Follower</b>	1. Extreme 550, Silicon, ITER (Rs.5,000) 2. <b>Robowizards, Trident Academy of Technology (Prize Money-Rs.3,000)</b> 3. GITA, (Rs.2,000)	18	<b>Robowizards</b> 1. Saraswata Sahoo 2. Ritik Parida 3. Abhisake Sahoo 4. Satyabrata Behera 5. Sarbajit Sarbeswar Nayak 6. Saswat Satpathy

Total number of teams Participated from our Trident Academy of Technology: 01

7. Robotic Events @ **Silicon University**

Fest Name:- **Nirman 4.0**

Conducted On:- 06.02.2025

**Results**

Event Name	Position and Winning College Name	Total Teams Participated	Inhouse Student Members
<b>Line Follower</b>	1. Silicon (Prize money-Rs.7,000) 2. <b>Laser Line, Trident Academy of Technology (Prize Money-Rs.5,000)</b> 3. Silicon (Prize Money Rs. 3,000)	<b>48</b>	<b>LASER Line Team Members</b> 1. Ritik Parida 2. Abhisek Sahoo 3. Satyabrata Behera

Total number of teams Participated from our Trident Academy of Technology: 02

**DEPARTMENT OF ELECTRONICS & TELECOMMUNICATION ENGG**  
**SCHOOL OF ENGG.(SOE)**  
**TRIDENT ACADEMY OF TECHNOLOGY,BBSR**

**Club Name: Eldes Club**

**Total no. of students (As of now): 30**

**Faculty Coordinators: Dr.Millee Panigrahi(I/C)**

**Mrs. Minu Samantaray(Club Member)**

**Mr. A.K.Pradhan(Club Member)**

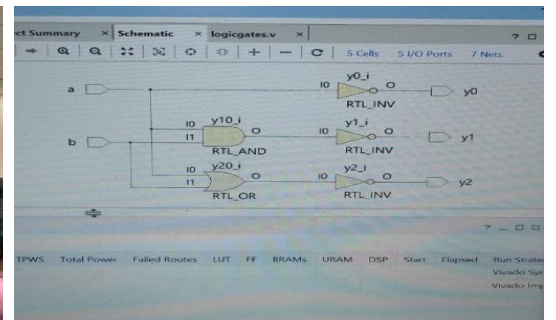
**Details of the Club Activities from 03.11.2023 to till date**

<b>Sl.No.</b>	<b>Event Name</b>	<b>Event Date</b>
1.	Quiz (Relaunching of club)	03.11.23
2.	Club Class on Introduction class	08.11.23
3.	Club Class on Fundamentals of digital circuits	15.11.23
4.	Club Class on Steps to design a power supply circuit	22.11.23
5.	Class basic concept of Arduino board	29 .11.23
6.	Technical talk on Chip in VLSI industry by Mr. Shivanand Koteshwar	01.12.23
7.	One day workshop on Semiconductor Characterization: Present Status and Future needs	10.02.2024
8.	Club Event (Tech Fest)-Digital Dive	19.02.2024-21.02.2024
9.	Club Class on Digital circuit design using Verilog	28.02.2024
10.	Club Class on Logic gate design using EDA Platform	01.03.2024
11.	Design of Basic circuits in Tinker card	06.03.2024
12.	Industry ready Training class on “ Future of Semiconductor Technology” by Mr. Mukesh Sukla, Program Manager, MarqueeSemi Pvt. Ltd.	09.03.2024
13.	Hands on session on Blinking of LED using Tinker card	13.03.2024
14.	Task was given for searching the Semicon Company List and a presentation was conducted for awareness for exploring the industries in semiconductor.	09.04.2024
15.	Seminar on Security Awareness and data protection measures	12.04.2024
16.	Internship training conducted through SIP for 4th year existing VLSI club members(5 students) and preparing for placement in VLSI industry by the trainers.	11.06.2024-30.07.2024

17.	Sensitizing 2nd and 3rd year club students about the career prospects in VLSI industry by Mr. Mukesh Sukla, Program Manager , Maerquee Semiconductor	20.07.2024
18.	Seminar on Introduction Digital VLSI Design Flow and Standard cell design	06.08.2024
19.	Club meeting to finalize President, Vice-President cum Treasurer and General Secretary and addition of new members to the club and finalization of weekly days to conduct the club event	08.08.2024
20.	<p>Odd sem 1<sup>st</sup> club class on Verilog coding to design digital circuits using Vivado</p> <p>1)Introduction to different types of hardware languages</p> <p>2)Brief discussion about verilog and system verilog</p> <p>3)Application of verilog</p> <p>4)Classification of verilog code into 3 types:- a) Structural b)Behavioural c) Dataflow</p> <p>5)Examples of ckts like logic gates and adder using verilog code</p> <p>6)example and usage of test bench</p> <p>1)Introduction to different types of hardware languages</p> <p>2)Brief discussion about verilog and system verilog</p> <p>3)Application of verilog</p> <p>4)Classification of verilog code into 3 types:- a) Structural b)Behavioural c) Dataflow</p> <p>5)Examples of ckts like logic gates and adder using verilog code</p> <p>6)example and usage of test bench</p>	14.08.2024
21.	<p>TECHNICAL TALK OF GUEST FACULTY FROM SILICON UNIVERSITY</p> <p>Ic Fabrication Process And The Various Steps In Building A Chip</p> <p>Technology Used In Chip Building</p> <p>Waveforms In Chip</p> <p>Electrical Properties And Routing</p>	16.08.2024
22.	<p>1)Introduction to vivado</p> <p>2)Application of vivado</p> <p>3)Distinction between the the design and testbench window and how they function</p> <p>4)example shown by simulating a NAND gate</p> <p>5)Schematic diagram and Gate Symbol</p>	21.08.2024
23.	<p>CLUB CLASS</p> <p>Introduction To Vivado And Its Application</p> <p>Distinction Between The Design</p>	11.09.2024

	And Testbench Window Simulation Of Nand Gate Along With Schematic And Gate Symbol	
24.	CLUB CLASS Introduction To Soc Practical Application Of Soc Chip Manufacturing Process	18.09.2024
25.	TECHNICAL TALK OF GUEST FACULTY FROM HYDERABAD UNIVERSITY Lecture On Cmos And Properties Latest Technology Used In The Vlsi Industry Finfet Technology Scaling Problem In Ic Chips	25.09.2024
26.	IETE QUIZ COMPETITION 1ST ROUND - QUIZ ROUND 2ND ROUND - RAPID FIRE ROUND 3RD ROUND - VISUAL LOGO AND TAGLINE ROUND	06.11.2024
27.	INDUSTRIAL VISIT BY INNOTRAT COMPANY Formal Introduction To Their Company Innoview - Their Ai Interview Platform For Skill Assessment Product Line- Inno-Ide,Innofab, Innotoys, Innomart	06.02.2025
28.	VIVADO CLASS Verilog Brief Introduction Various Windows And Modes In Vivado Introduction To The Different Steps For Writing A Program In Vivado And Output Display Options Assignment - Do Atleast A Logic Gate Synthesis Using Vivado	07.02.2025
29.	CLUB CLASS Asic Design Flow And The Various Steps Included Rtl Programming Language Basics Differentiation Between Frontend And Backend Design In Vlsi	12.02.2025
30.	VIVADO CLASS Tokens And Number Representation In Verilog Operators In Verilog Design Code Syntax And Example Discussion In Vivado	13.02.2025

31.	<b>VISIT TO IIT,BBSR</b> <ul style="list-style-type: none"> <li>○ <math>\mu</math> Fabrication &amp; Characterization Lab</li> <li>○ System-on-Chip (SoC) Lab</li> <li>○ Clean Rooms – Class - 10000 and 1000</li> </ul>	19.02.2025
32.	<b>TECHFEST EVENT- ELECTROVERSE</b> <b>ROUND 1 - QUIZ TEST</b> <b>ROUND 2 - COLOUR CODING AND LED BLINKING</b> <b>ROUND 3 - TEMPERATURE BASED FAN SPEED CONTROL USING ARDUINO</b>	24.02.2025 & 25.02.2025



**Dr. Millee Panigrahi**  
**HOD(ETC) and Club coordinator**